

## Rear Sub Frame Split Bushing Removal Tool - Instructions

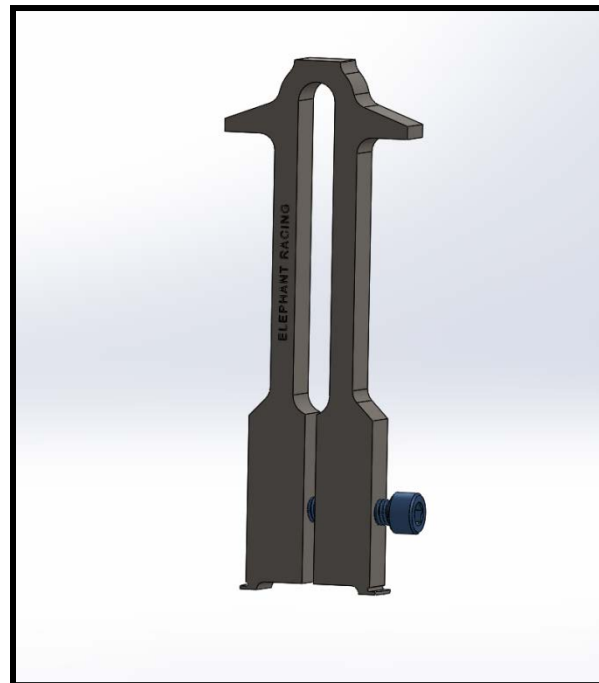
Part # 2290038

### Cars applicable:

993

### Parts list:

Quantity	Description
1	Sub Frame Bushing Removal Tool



### Tools Required:

- Basic Mechanic's Tool Set
- Claw or Ball Peen Hammer
- 2-3/8" hole saw
- Hand Torch

### Introduction:

We understand that the task of removing the split bushings from the rear sub-frame of your 993 can be a daunting task. That's why Elephant Racing has devised a tool to make removing your split bushings as easy as possible. With the Elephant Racing bushing removal tool, all the work can even be done with the sub-frame still installed on the vehicle!

**Instructions -**

1 – Safely raise and support the vehicle. Remove the rear wheels. If you intend to remove the bushings with the sub frames installed in the vehicle, support the wheel uprights and sub frames as well.

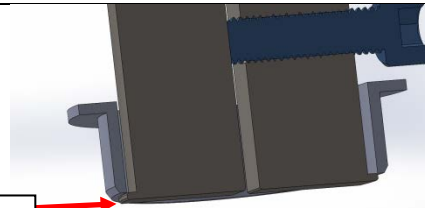
2 – With the sub frames properly supported, loosen and remove the bolts attaching the sub frames to the chassis. Carefully lower the the sub frames until there is enough room between the sub frame and chassis to remove the split bushings.

**2 – Rubber removal**

The inner metal spacers and rubber from the bottom-most bushing must first be removed before the Elephant Racing split bushing removal tool can be used. With the sub frames secured, use a propane torch to heat the sub frame until the inner metal spacers can be pried out.

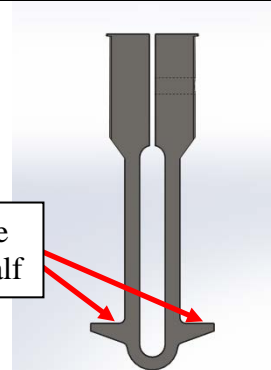
Using a 2-3/8" hole saw, remove the majority of the rubber from the bushing casing. Some rubber will remain. If necessary, use a razor knife to remove enough residual rubber to allow installation of the Elephant Racing split bushing removal tool.

3 – Install the bushing removal tool from the bottom and position the split bushing removal tool so that the small "teeth" are positioned at the parting line between the two bushing halves. Tighten the bolt on the split bushing removal tool to separate the tool jaws and engage the bushing half.



Tooth positioned at parting line

4 – With the removal tool securely in place, use a hammer to drive the top bushing half from the sub frame. Once the top bushing is removed, use a hammer to strike the surfaces as shown to the right to remove the bottom split bushing.



Strike here to remove the bottom bushing half

5 – Loosen the bolt in the split bushing removal tool. Perform steps 2 through 4 to remove all other bushing halves.